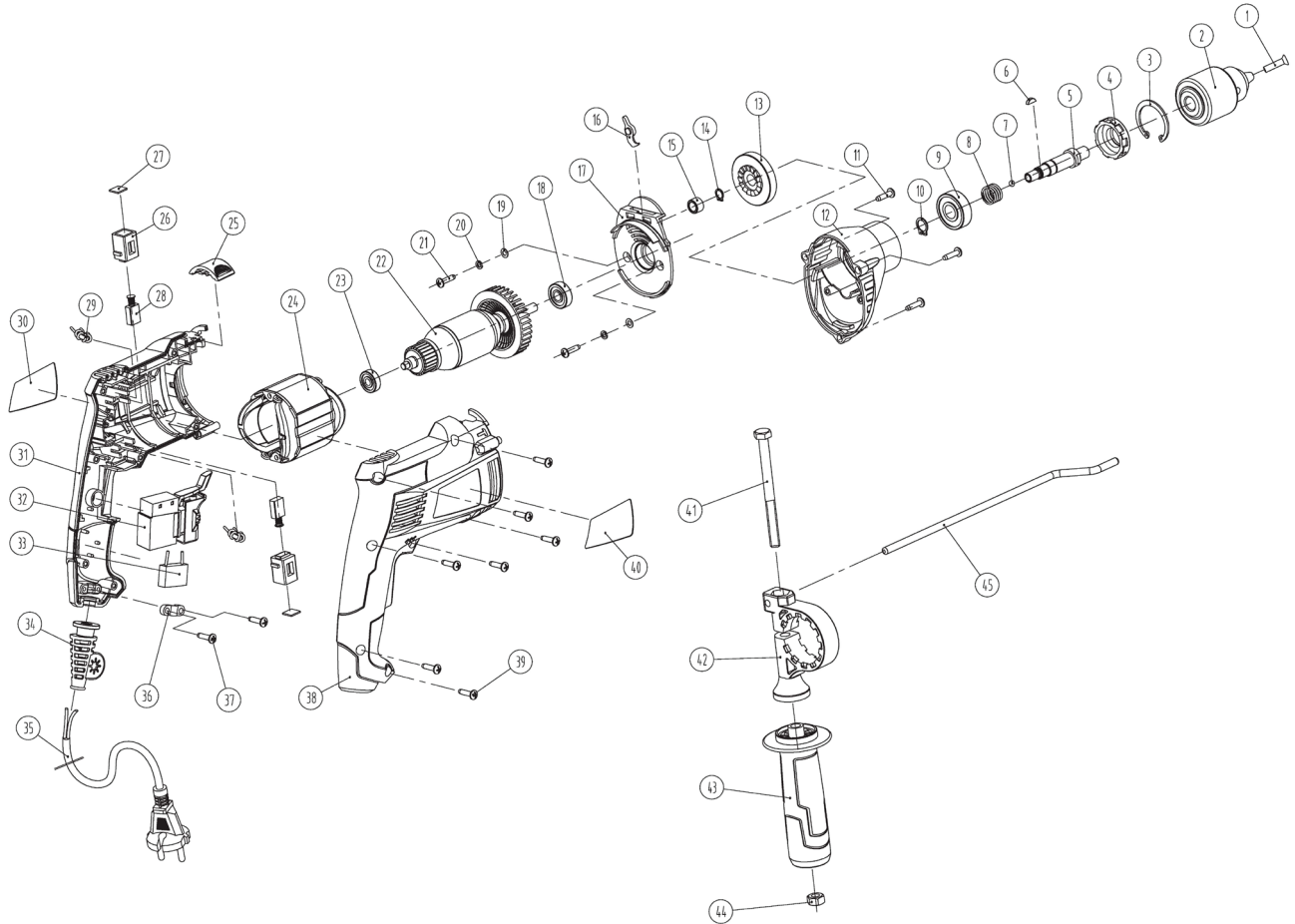


Exploded Drawing of Impact Drill RDP-ID29



Parts list of Impact Drill RDP-ID29

No.	Description	Qt.	No.	Description	Qt.
1	Negater head screw M5×30	1	24	Bearing 626-2Z	1
2	Collet 13mm	1	30	Stator	1
3	Circlip for hole 35	1	26	Impact knob	1
4	Dust ring	1	27	Brush holder	2
5	Output Spindle	1	28	Carbon brush	2
6	Woodruff key 3×3.8×10	1	29	Inductance 80μH	2
7	Steel ball Φ5	1	30	Trademark	1
8	Impact spring	1	31	Left housing case	1
9	Bearing 6201-2Z	1	32	Switch	1
10	Circlip for shaft 12	1	33	Capacitor 0.33μF	1
11	Tapping screw ST4.2×19	3	34	Cable jacket	1
12	Shuck for caput	1	35	Cable	1
13	Big gear	1	36	Cable clip	1
14	Circlip for shaft 10	1	37	Tapping screw ST4.2×14	2
15	Oil bearing(Φ12×Φ8×8)	1	38	Right housing case	1
16	Oil ring	1	39	Tapping screw ST4.2×16	7
17	Transmission fork	1	40	Nameplate	1
18	Middle block	1	41	Screw M8X100	1
19	Bearing 608-2Z	1	42	Handle seat	1
20	Washer 4	2	43	Handle	1
21	Spring washer 4	2	44	Nut M8	1
22	Screw M4×16	2	45	Ruler	1
23	Rotor	1			